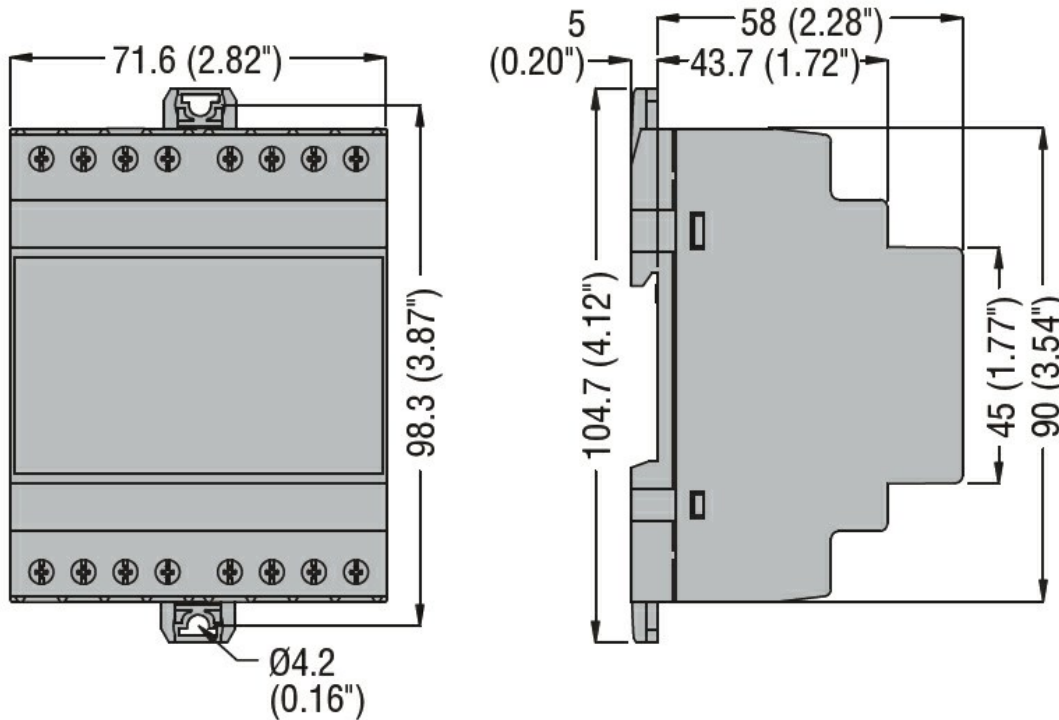




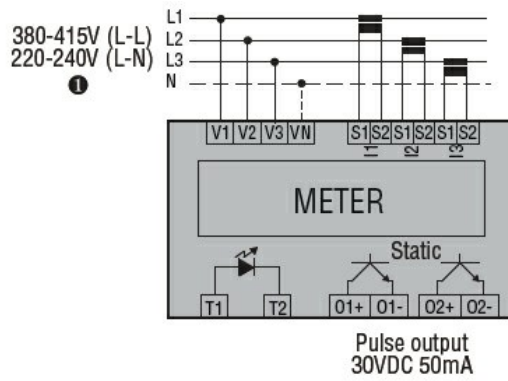
Product designation	Three-phase energy meters		
Product type designation	DMED310T2		
Type	Three-phase with and without neutral		
DIN rail module number	4		
Auxiliary supply U_s			
Operational frequency	min	Hz	50
	max	Hz	60
Power consumption	Max	VA	3.5
Power dissipation Max		W	2.7
Measuring voltage inputs			
Rated voltage (U_e)	phase-phase	VAC	380...415
	phase-neutral	VAC	220...240
Operating voltage range	phase-phase	VAC	323...456
	phase-neutral	VAC	187...264
Connection method	Via CT		
Current			
IEC maximum (I_{max})		A	5
IEC minimum (I_{min})		A	0.05
IEC rated (I_{ref-Ib})		A	5
IEC start (I_{st})		mA	0.005
Transition (I_{tr})		A	0.25
Accuracy			
Measurement conditions (T +23°C ±1°C / Rel. Humidity 45 ±15% R.H.)			
	active energy		Class 1 (IEC/EN/BS 62053-21)
	reactive energy		Class 2 (IEC/EN 62053-23)
Output characteristics			
LED Pulse rate		pulse/kWh	1000
LED Pulse duration		ms	30
Static output pulse rate		pulse/kWh	0.1-1-10-100 programmable
Static output pulse duration		ms	100
Static output external voltage		VDC	10...30
Static outputs Maximum current		mA	50
Insulations			
Rated insulation voltage U_i IEC/EN		V	250
Rated impulse withstand voltage U_{imp}		kV	6

Operating frequency withstand voltage		kV	4
Mechanical features			
Housing type			Polyamide
Terminals type			Fixed
Conductor cross section			
	min	mm ²	0.2
			4 for supply voltage measurement;
	Max	mm ²	2.5 for current measurement
	min	AWG	24
	Max	AWG	12
Tightening torque (Max)			
		Nm	0.8
		lbin	7
Fixing			Din rail
Weight		g	332
Ambient conditions			
Temperature			
	Operating temperature		
	min	°C	-25
	max	°C	+55
	Storage temperature		
	min	°C	-25
	max	°C	+70
Relative humidity		%	<80
Maximum Pollution degree			2

Dimensions



Wiring diagrams



Certifications and compliance

Compliance

IEC/EN 50470-1
IEC/EN 61010-1
IEC/EN 61010-2-030

Certificates

EAC
RCM

ETIM classification

ETIM 8.0

EC001506 -
Kilowatt-hour
meter